



Oil mats	1
Displacement plugs	1
VAN RUTH® Cementing and Wedging Plugs	2
Rod and casing cutter	3
chuck jaws	6
Reamer assembly	6
Inner tube clinometer	7
Cable clevis	8
Pressure relief valve	9

We manufacture and resell

MBI Drilling Products has an ongoing commitment to ensuring customer satisfaction and providing great products. That's why we offer other products that are popular in the drilling industry. From by-pass wedges to oil mats, we select only the best products, thus making sure that our customers can find everything they need, at the moment they need it.



The oil mats are made of high quality fabric. The primary use is to recover oil (hydraulic and motor oil). Rolls come in mats of 38" X 144", 30" X 150" or in sheets of 15" X 15" and 15" X 19".

Part No	Description
Q 02 1530	Heavy Duty Oil Absorbant 30" X 150' Rolls
Q 02 1519	15" X 19" Heavy Weight Absorbent Pad (100 per pack)



DISPLACEMENT PLUGS

They are made of rubber and designed for placing casing pack, plugging back with cement and grouting. They are available in B, N, H and P sizes.

Part No	Description
M9050026	B Displacement Plugs
M9050027	N Displacement Plugs
M9050028	H Displacement Plugs
M9050029	P Displacement Plugs

VAN RUTH® CEMENTING AND WEDGING PLUGS



Part No	Description
M9051101 B	Cementing and wedging plugs
M9051102 N	Cementing and wedging plugs
M9051103 H	Cementing and wedging plugs

The VAN RUTH® CW PLUG (CW) is highly effective as a bridge plug for spot cementing sections of drill holes or wedging in off bottom situations for branch hole operations.

The CW PLUG is placed by pumping through the drill string and locks in the drill hole upon leaving the rods. The cup on top provides a seal on the drill hole.

Spot cementing: To provide a bridge for spot cementing, the CW PLUG is inserted and pumped down an open rod string with either cement or water, depending on the intended use. Spring loaded slips grab the wall of the drill hole upon leaving the rod string and the tapers of the plug body and slips lock the plug in location. A high pump pressure reading and relief valve discharge indicate that the plug has locked in the drill hole with the upper portion of the plug still in the rods. Slowly raising the rods while maintaining a positive fluid pressure will complete the setting process. A drop to open hole pressure indicates the plug has left the rods and is ready for operations to follow. The CW PLUG may be drilled out after cementing if required.

Wedging: For branch holes or wedging with Hall-Rowe type wedges, the CW PLUG is inserted and pumped down to the required location with water and set as above. A wooden plug is placed on top of the CW PLUG and the wedge is lowered and set in position before the wooden plug has time to expand. The wedge is then cemented in to prevent vibration and branch hole drilling operations can begin.

Construction: Drillable aluminum and rubber, also available in non-spark material illustrated above in black. Material Safety Data Sheets (MSDS) available upon request.

ROD AND CASING CUTTER

Size : BW Casing

ASSEMBLY

Description	Part No	Weight	
		lb	kg
BW Casing / N Rod Cutter Assy	CCN3000	17.50	8.0

REPAIR KIT

CCBN3020

- Roller stabilizer (2)
- Screw roller (2)
- Tool holder (3/8" pin) (1)
- Tool holder (1/4" pin) (1)
- Cutter knife (1)
- Piston spring pin (1)
- Set screw tool bit (1)

1	Retaining plug	WB2123
2	Steel ball (3/4")	WB2121
3	Valve	CCBNH3014
4	Stopper lock nuts	CCBNH3017C
5	Stopper base	CCBNH3017A
6	Stopper screw	CCBNH3017B
7	"B-N-H" valve stopper assy	CCBNH3017
8	Piston	CCBNH3011
9	Piston spring pin (1/4" X 1 5/8")	CCBNH3012
10	Spring piston	CCBNH3010
11	Rod piston	CCBNH3009
12	Tool holder pin (1/4" x 5/8")	CCBNH3008
13	Tool holder (3/8" pin)	CCBNH3006
14	Holder tool bit	CCBN3004
15	Cutter knife	CCBNH3007C
16	Set screw tool bit	CCBNH3005
17	Valve body B box	CCBW3013
18	Body cutter	CCBW3003
19	Roller stabilizer (2)	CCBN3002
20	Roller screw Kit	CCBNH3001
21	Conversion Kit NTW	CCBNH3007N

OPTION



CONVERSION KIT TO CUT THIN WALL NTW ROD:



ROD AND CASING CUTTER

Size : NW Casing

ASSEMBLY

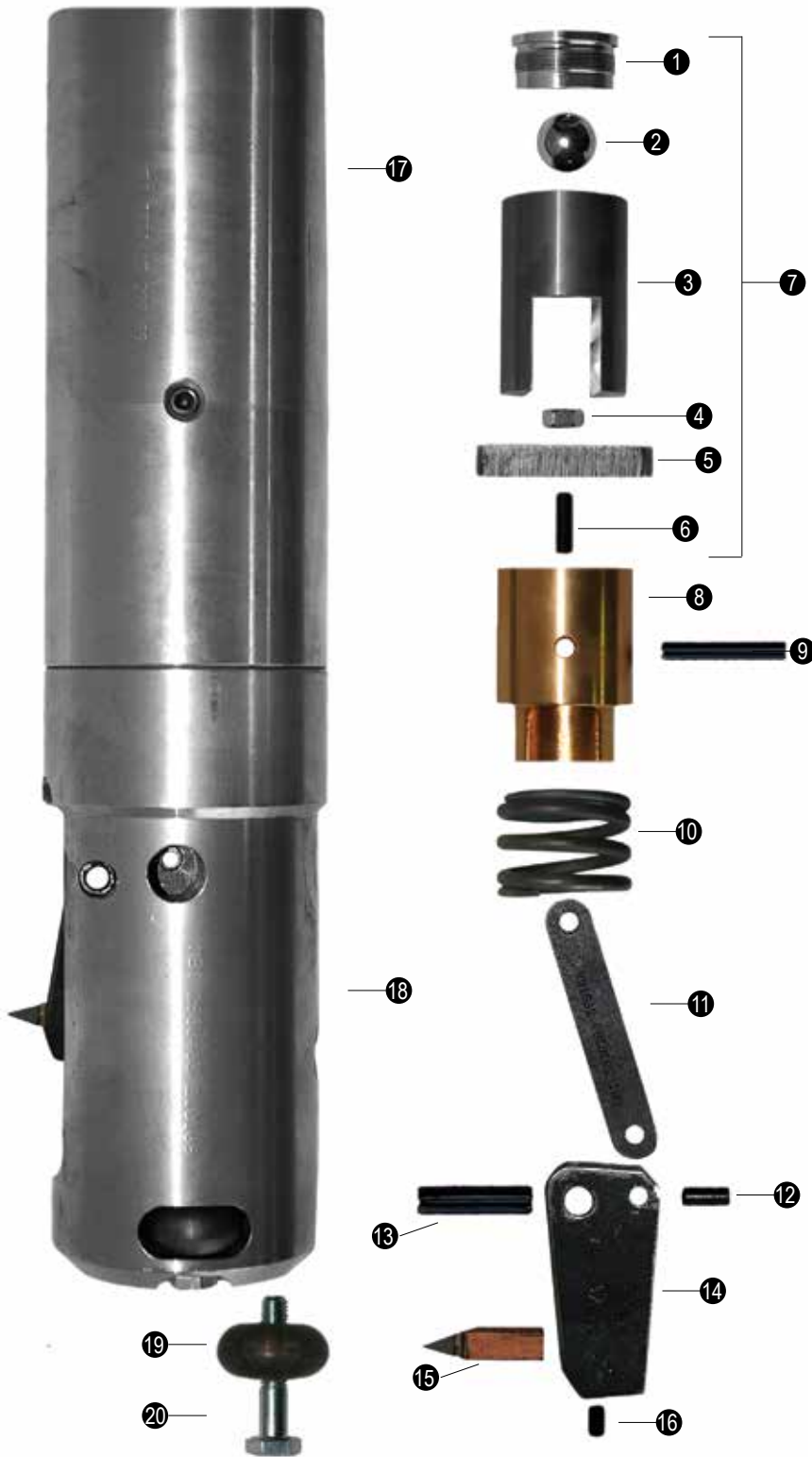
Description	Part No	Weight	
		lb	kg
NW Casing / H Rod Cutter Assy	CCH3000	25.00	11.4

REPAIR KIT

CCBN3020

- Roller stabilizer (2)
- Screw roller (2)
- Tool holder (3/8" pin) (1)
- Tool holder (1/4" pin) (1)
- Cutter knife (1)
- Piston spring pin (1)
- Set screw tool bit (1)

1	Retaining plug	WB2123
2	Steel ball (3/4")	WB2121
3	Valve	CCBNH3014
4	Stopper lock nuts	CCBNH3017C
5	Stopper base	CCBNH3017A
6	Stopper screw	CCBNH3017B
7	"B-N-H" valve stopper assy	CCBNH3017
8	Piston	CCBNH3011
9	Piston spring pin (1/4" X 1 5/8")	CCBNH3012
10	Spring piston	CCBNH3010
11	Rod piston	CCBNH3009
12	Tool holder pin (1/4" x 5/8")	CCBNH3008
13	Tool holder (3/8" pin)	CCBNH3006
14	Holder tool bit	CCBN3004
15	Cutter knife	CCBNH3007C
16	Set screw tool bit	CCBNH3005
17	Valve body N box	CCNW3013
18	Body cutter	CCNW3003
19	Roller stabilizer (2)	CCBN3002
20	Roller screw (2)	CCBNH3001



ROD AND CASING CUTTER

Size : HW Casing

ASSEMBLY

Description	Part No	Weight	
		lb	kg
HW Casing / P Rod Cutter Assy	CCP3000	38.70	17.6

REPAIR KIT

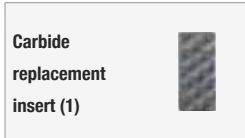
CCH3020

- Roller stabilizer (2)
- Screw roller (2)
- Tool holder (3/8" pin) (1)
- Tool holder (1/4" pin) (1)
- Cutter knife (1)
- Piston spring pin (1)
- Set screw tool bit (1)

1	Retaining plug	WB2123
2	Steel ball (3/4")	WB2121
3	Valve	CCBNH3014
4	Stopper lock nuts	CCBNH3017C
5	Stopper base	CCBNH3017A
6	Stopper screw	CCBNH3017B
7	"B-N-H" valve stopper assy	CCBNH3017
8	Piston	CCBNH3011
9	Piston spring pin (1/4" X 1 5/8")	CCBNH3012
10	Spring piston	CCBNH3010
11	Rod piston	CCBNH3009
12	Tool holder pin (1/4" x 5/8")	CCBNH3008
13	Tool holder (3/8" pin)	CCBNH3006
14	Holder tool bit	CCH3004
15	Cutter knife	CCBNH3007C
16	Set screw tool bit	CCBNH3005
17	Valve body H box	CCHW3013
18	Body cutter	CCHW3003
19	Roller stabilizer (2)	CCH3002
20	Roller screw (2)	CCBNH3001



CHUCK JAWS



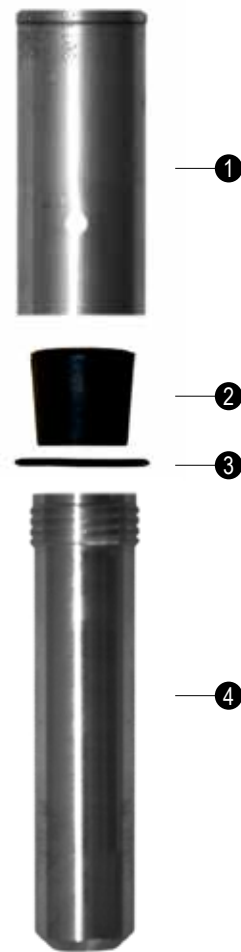
Description	Part No	Weight	
		lb	kg
AW Casing	U29187	4.75	2.2
BW Casing	U29189	4.27	1.9
NW Casing	U28348	3.68	1.7
BW Rod	U29186	4.75	2.2
NW Rod	U29054	4.45	2.0
HW Rod	U28348	3.68	1.7
A Rod	U28351	5.22	2.4
B Rod	U28350	4.87	2.2
N Rod	U28349	4.37	2.0
H Rod	U28348	3.68	1.7
Thin Wall			
ATW Rod	A3437306	5.22	2.4
BTW Rod	A3437307	4.83	2.2
NTW Rod	A3437308	4.27	1.9

REAMER ASSEMBLY



Description	Part No	Weight	
		lb	kg
B Size			
B rod box-box to			
BW Casing Pin	A3091313	4.18	1.9
Extension			
B rod pin-pin 5 5/8 (standard)	A30v96311	2.39	1.1
B rod pin-pin 3 13/16 (metric)	A3096312	1.79	0.8
N Size			
N rod box-box to			
NW Casing Pin	A3096413	6.28	2.9
Extension			
N rod pin-pin 13 3/4 (standard)	A3096411	6.56	2.9
N rod pin-pin 11 7/8 (metric)	A3096412	5.73	2.6
H Size			
H rod box-box to			
HW Casing Pin	A3096513	12.00	5.5
Extension			
H rod pin-pin 8 1/2 (standard)	A3096511	6.41	2.9
H rod pin-pin 6 5/8 (metric)	A3096512	5.33	2.4
Thin Wall			
BTW Size			
BTW rod box-box to			
BW Casing Pin	A3091315	3.54	1.6
Extension			
BTW rod pin-pin (standard)	A3096313	2.81	1.3
BTW rod pin-pin (metric)	A3096314	2.60	1.2
NTW Size			
NTW rod box-box to			
NW Casing Pin	A3091415	5.34	2.4
Extension			
NTW rod pin-pin (standard)	A3096414	6.78	3.0
NTW rod pin-pin (metric)	A3096415	4.39	1.9

INNER TUBE CLINOMETER



ASSEMBLIES

Description	Part No	Weight	
		lb	kg

Wireline Type Assy

A IT	WEA3500	0.70	0.3
B IT	WEB3500	2.10	0.9
N IT	WEN3500	4.19	1.9
H IT	WEH3500	6.33	2.9
P IT	WEP3500	8.40	3.8

Thin Wall Type Assy

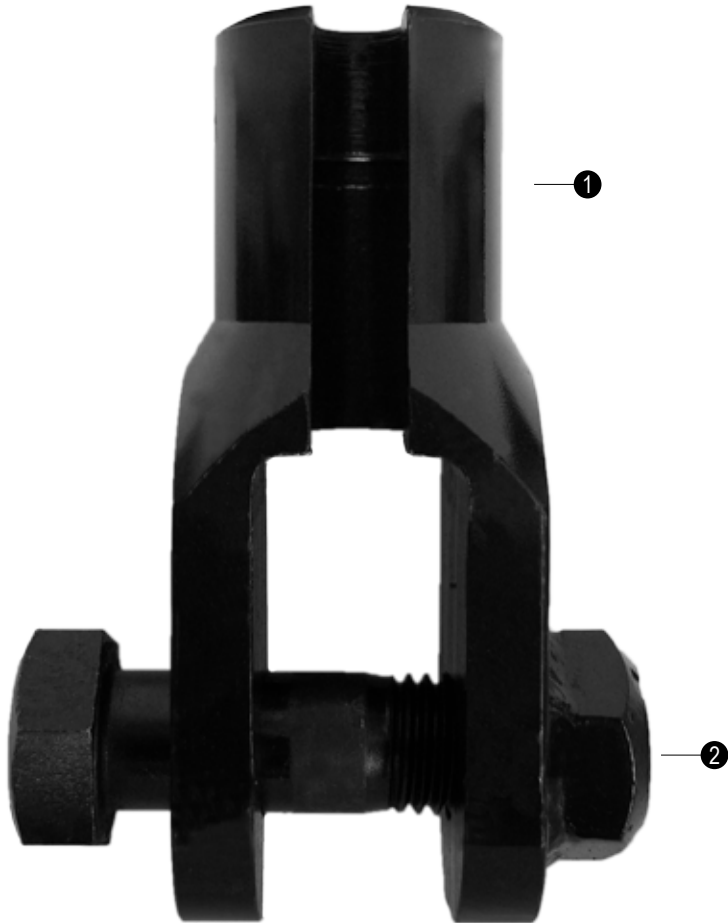
ATW IT	WEATW6500	0.82	0.4
BTW IT	WEBTW6500	2.56	1.2
NTW IT	WENTW6500	4.76	2.2

WIRES LINE INNER TUBE TYPE

1	Cap	A	WEA3501
		B	WEB3501
		N	WEN3501
		H	WEH3501
		P	WEP3501
2	Rubber stopper	A	WEB4101
		B	WEB4101
		N	WEN4100
		H	WEN4100
		P	WEN4100
3	"O" ring	A	WEA3500
		B	WEB3501
		N	WEN3502
		H	WEN3502
		P	WEN3502
4	Container	A	WEA3502
		B	WEB3502
		N	WEN3502
		H	WEN3502
		P	WEN3502

THIN WALL INNER TUBE TYPE

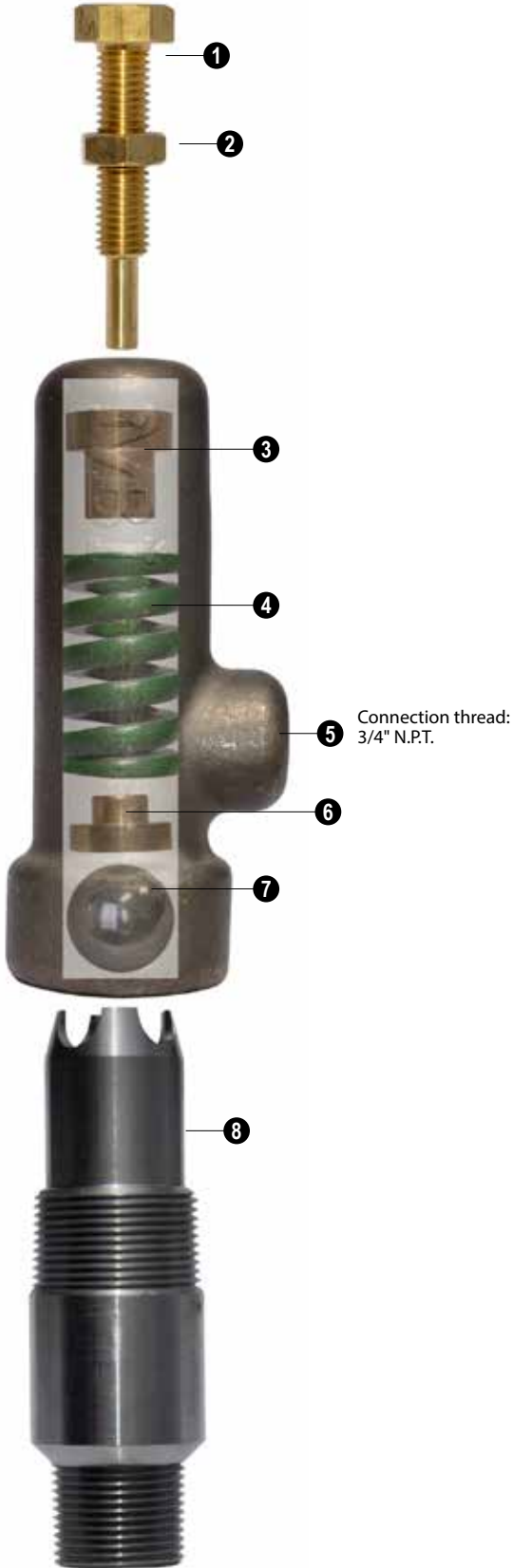
1	Cap	ATW	WEATW6501
		BTW	WEBTW6501
		NTW	WENTW6501
2	Rubber stopper	ATW	WEATW4101
		BTW	WEATW4101
		NTW	WENTW4100
3	"O" ring	ATW	WEATW3500OR
		BTW	WEBTW3502OR
		NTW	WEBTW3502OR
4	Container	ATW	WEATW3502
		BTW	WEBTW3502
		NTW	WENTW3502



Description	Part No	Weight	
		lb	kg
Clevis Assy (5/8")	CL002	7.38	3.4

1	Body 5/8"	CL002A
2	Pin 5/8"	CL0012

PRESSURE RELIEF VALVE



ASSEMBLIES

Description	Part No	Weight	
		lb	kg
Relief Valve Assy	RV0016	7.50	3.4
Capacity: 0 - 1 500 p.s.i.			
Maximum load: 1 500 p.w.i. / 10.3 MPa			

1	Adjusting screw	RV0001
2	Lock nut	RV0002
3	Spring guide heavy duty	U000151729
4	Spring	WN2116
5	Body	RV0017
6	Ball holder heavy duty	U000151728
7	Steel bal (15/16")	RV0008
8	Special seat	RV0010